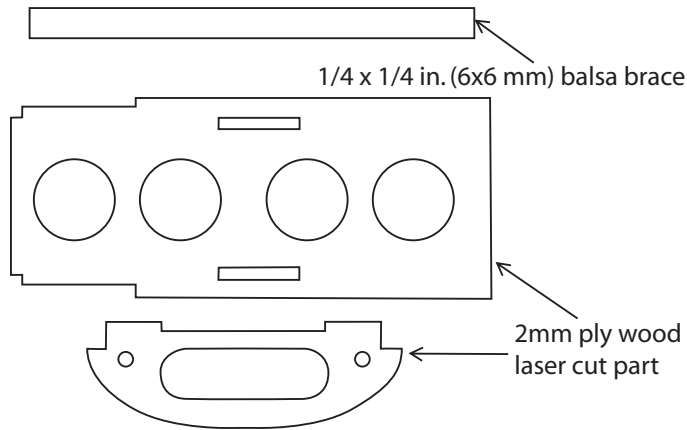
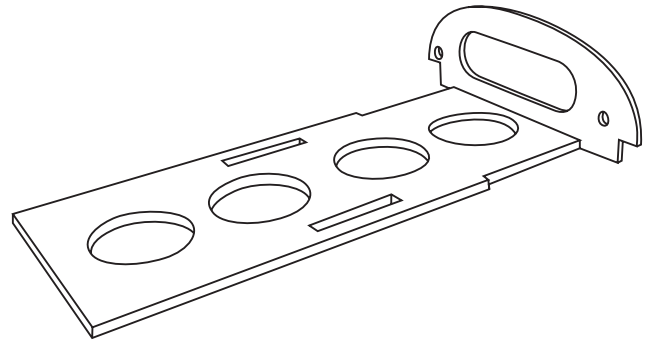


**ADDITIONAL INFORMATION**  
**BIRD DOG BATTERY TRAY**

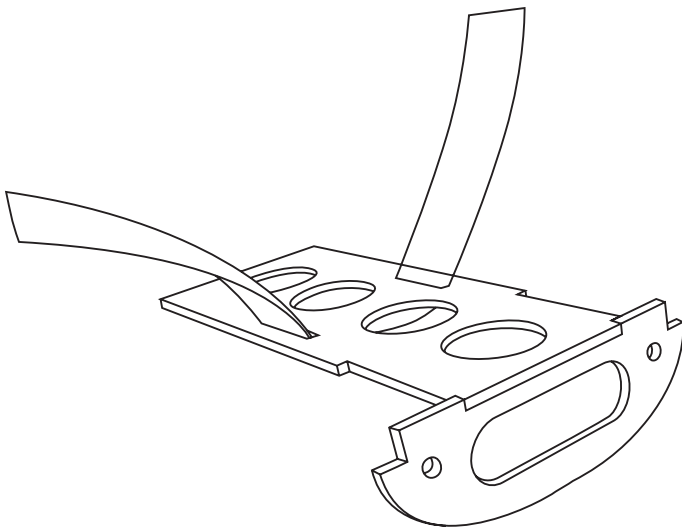
A battery platform has now been included with your Bird Dog. This ADDITIONAL INFORMATION sheet explains how to install the battery platform.



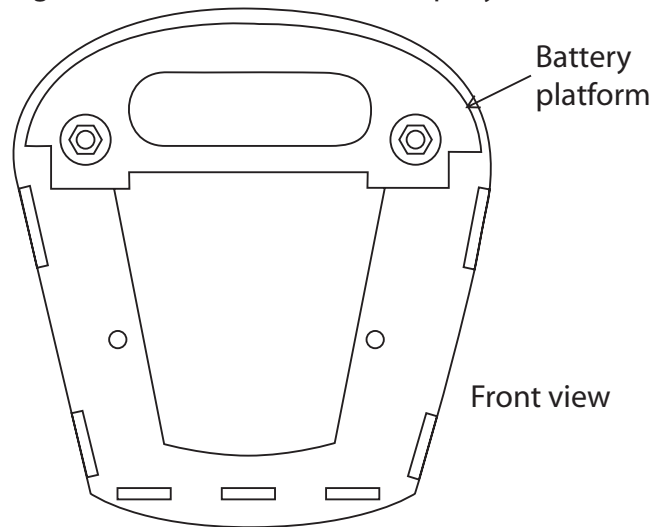
A. Battery platform parts



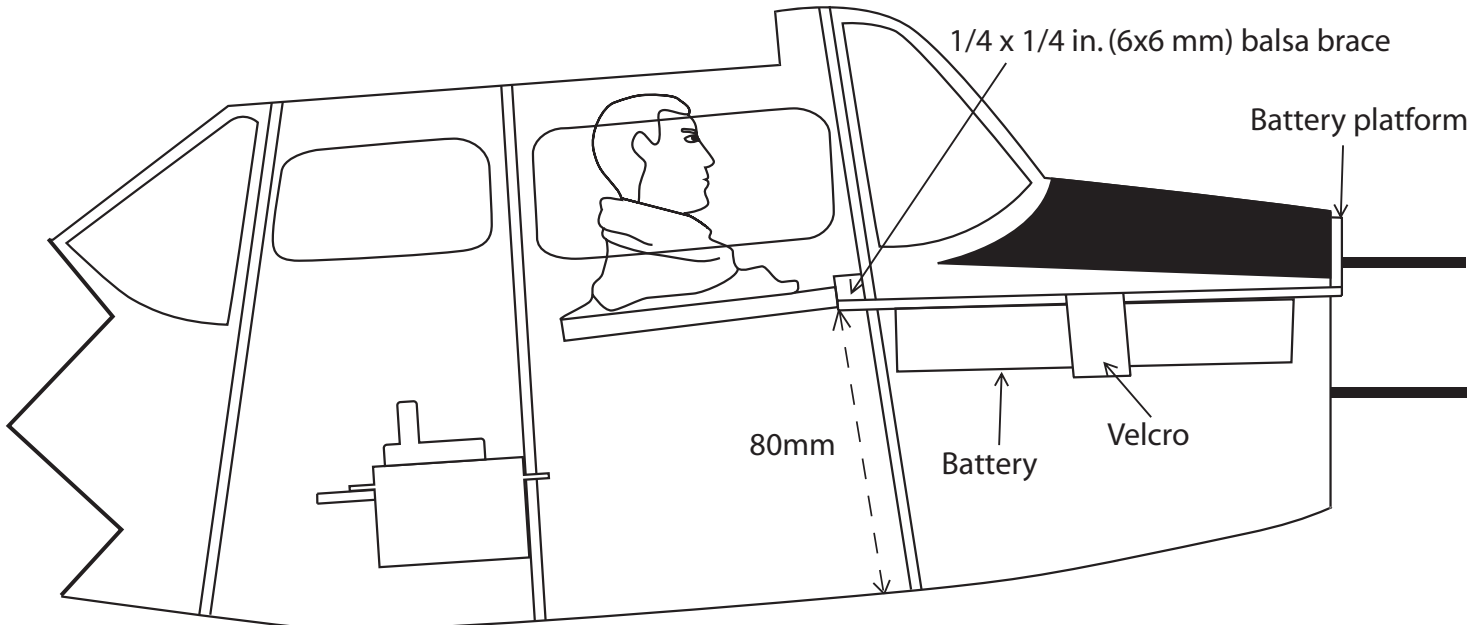
B. Glue the battery platform together as shown using Medium CA+ or 30 minute epoxy



C. Thread the Velcro hook & loop set through the battery platform as shown



D. Slide the battery platform into the fuselage from the front and secure in place using the power module bolts as shown above and in E below



E. Use medium CA+ or 30 minute epoxy to glue the 6x6mm balsa brace and the aft end of the battery platform to the fuselage as shown above