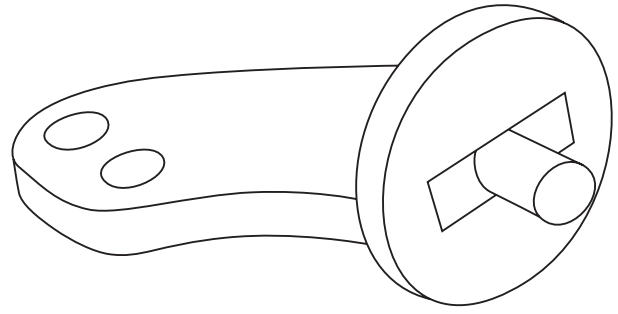
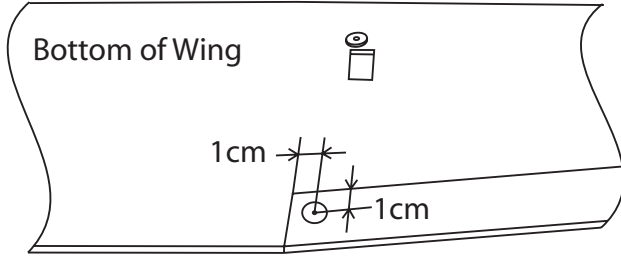


## **ADDITIONAL INFORMATION** **BIRD DOG CONTROL HORNS**

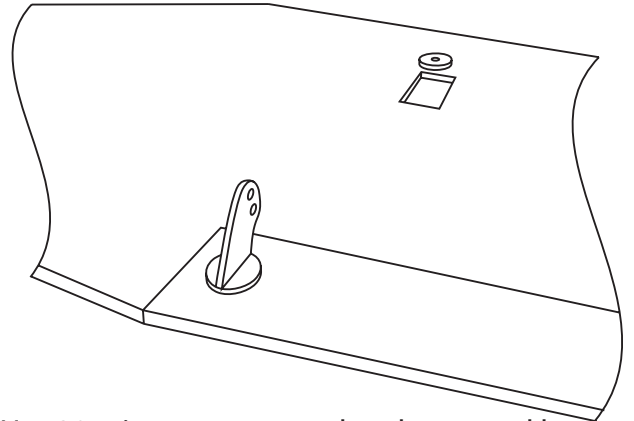
The aileron, rudder and elevator control horns in your Bird Dog have been upgraded to a new laser cut control horn that is stronger and easier to install. This ADDITIONAL INFORMATION supercedes the control horn installation instructions in your manual.



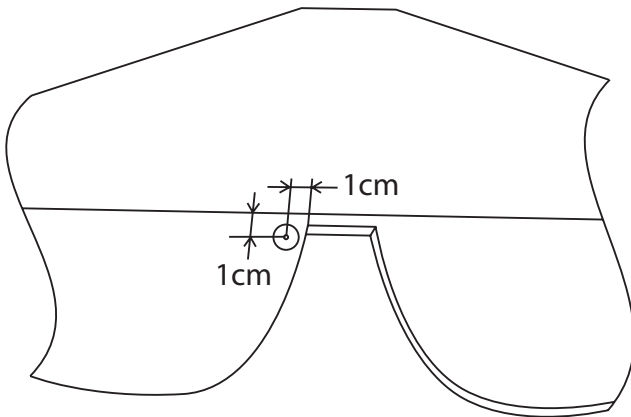
A. Typical laser cut control horn (supplied)



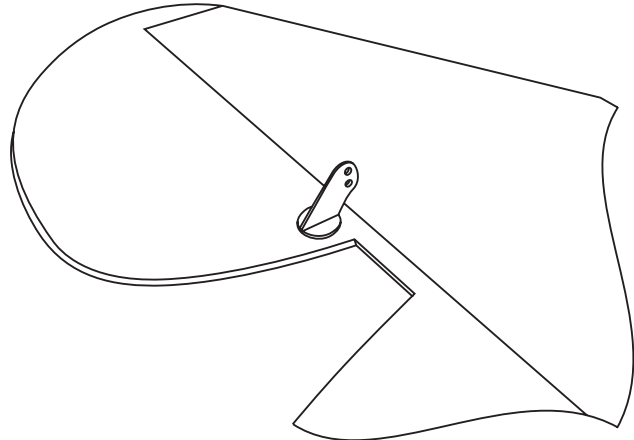
B. Remove a small area of covering from the aileron as shown. Repeat for both ailerons



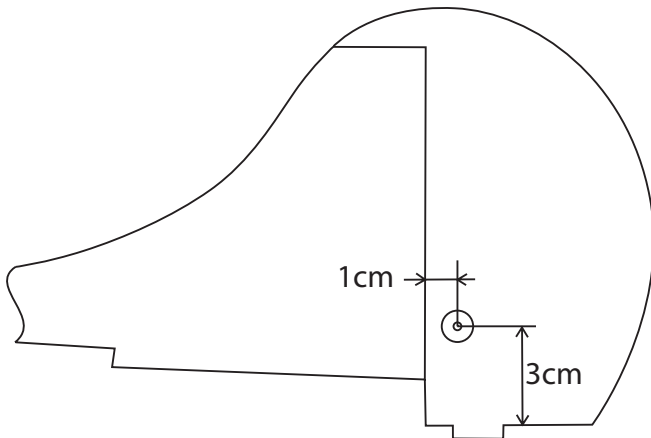
C. Use 30 minute epoxy to glue the control horn to the aileron as shown. Repeat for both ailerons



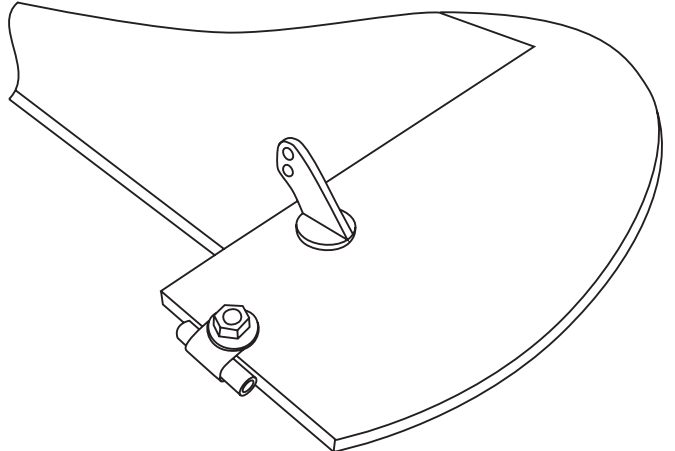
D. Remove a small area of covering from the elevator as shown



E. Use 30 minute epoxy to glue the control horn to the elevator as shown



F. Remove a small area of covering from the rudder as shown



G. Use 30 minute epoxy to glue the control horn to the rudder as shown