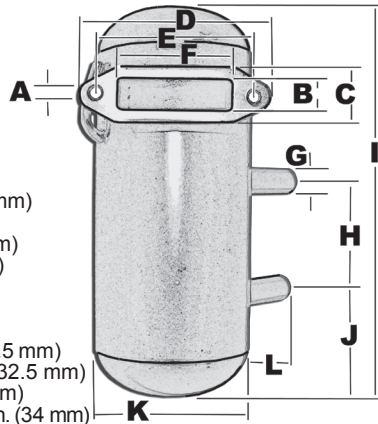


IN COWL "Pitt's Style" MUFFLER

For VMAX 61PRO,
VMAX 76PRO &
other Popular 60-91
Two Stroke Engines



Dimensions:

- A = Threaded Hole: .1378 in. (3.5 mm)
- B = Port Height: .354 in. (9 mm)
- C = Flange Height: .649 in. (16.5 mm)
- D = Flange Width: 1.968 in. (50 mm)
- E = Mounting Holes Center to Center:
1.653 in. (42 mm)
- F = Port Width: 1.083 in. (27.5 mm)
- G = Exhaust Inside Diam: .256 in. (6.5 mm)
- H = Exhaust Separation: 1.280 in. (32.5 mm)
- I = Overall Length: 4.843 in. (123 mm)
- J = Exhaust Distance from End 1.338 in. (34 mm)
- K = Barrel Diameter: 1.614 in. (41 mm)
- Overall Width with Flange & Exhaust
3.149 in. (983.858 mm)
- L = Exhaust Length: 1.496 in. (38 mm)
- Weight = 4.33 oz (110 g)

#VMA-MF6090

Specifications within 3%
as of 20050305

www.richmondrc.com